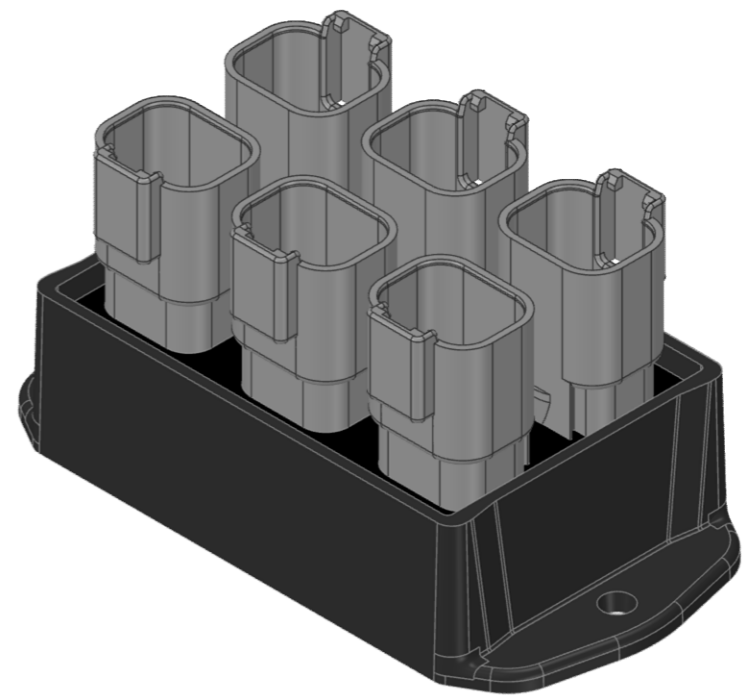
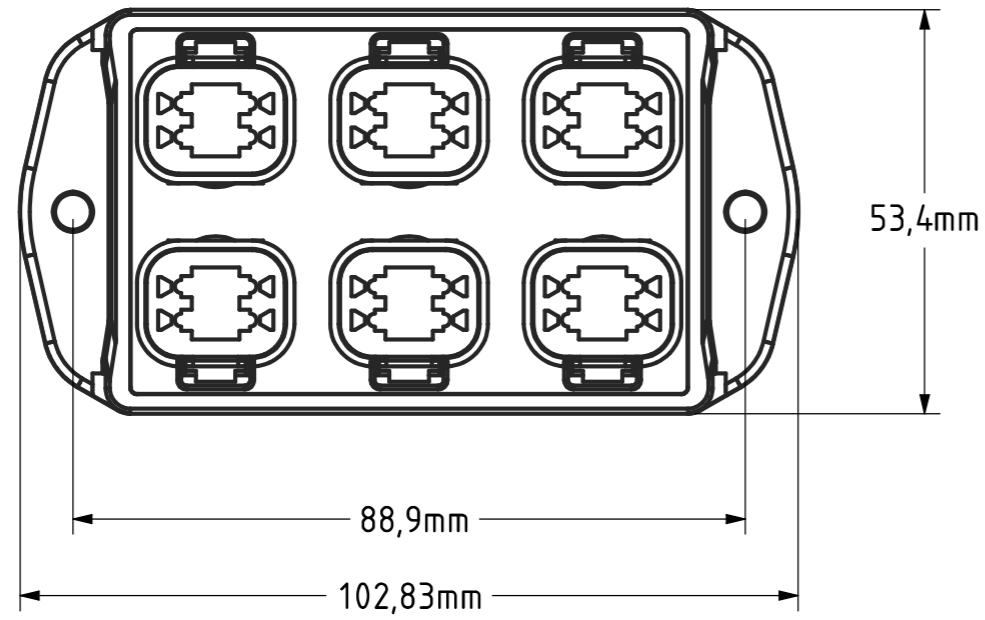
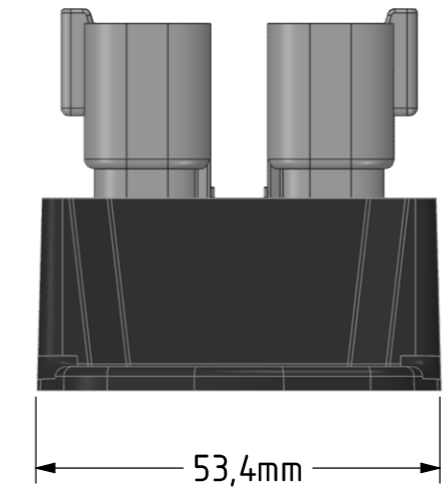
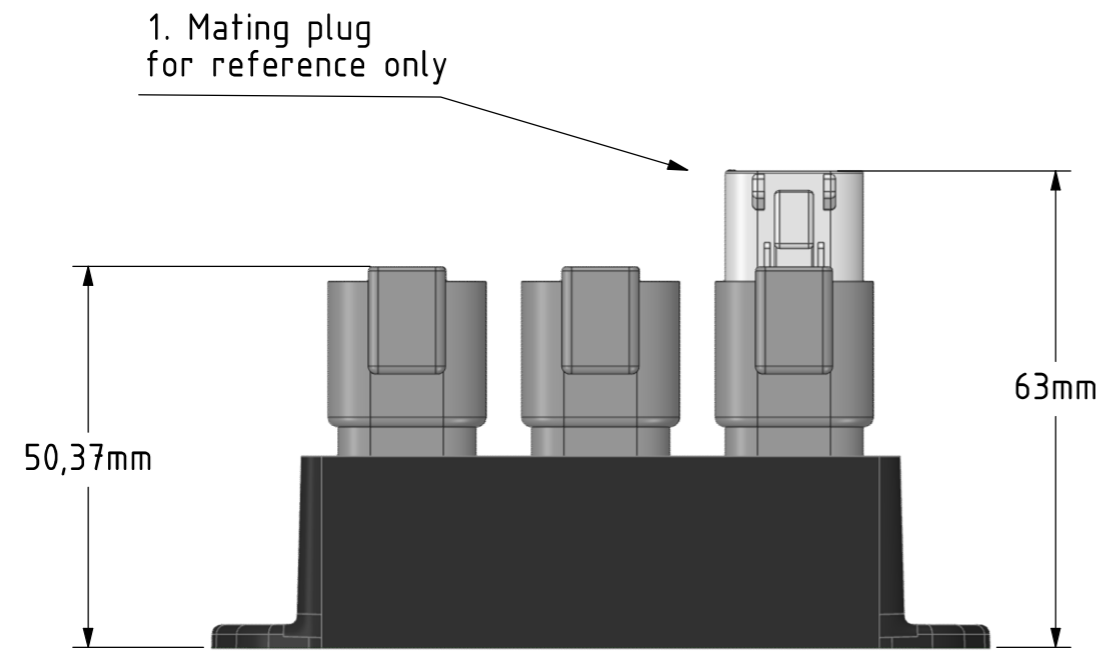


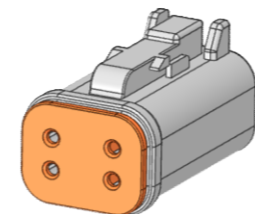
Offenders will be held liable for the payment of damages. All rights reserved in the event of the grant of a patent, utility model or ornamental design registration.

The copying, distribution and utilization of this document as well as the communication of its contents to others without expressed authorization is prohibited.

Part Number	Modification
EM-6IBS	Without terminating resistor
EM-6IBS-R	With terminating resistor 1200hm pins 3 + 4



1. Mating plug for reference only



1. Mating plugs: DT06-4S***
2. Pins with the same numbers are wired together
3. Pins 1+2 are nickel plated, pins 3+4 gold plated
4. For detailed IBS Connector pinout see drawing "IBS Connector Wiring"

Applicable for:		Tolerances	Surface	Scale	Dimensions	Projection
Signal Splitters		DIN 16 901 - 140		1:1	mm [in]	First Angle
				Material		
		Date	Name	Title, description		
		Drawn	12.01.2020	Signal splitter		
		Chk.		6x IBS connector DT04-4PA		
		Modified	13.10.2020	Drawing No.		
				EM-6IBS		Sheet/Sheets
						1/1
Rev	Change	Date	Name	File: EM-6IBS		

