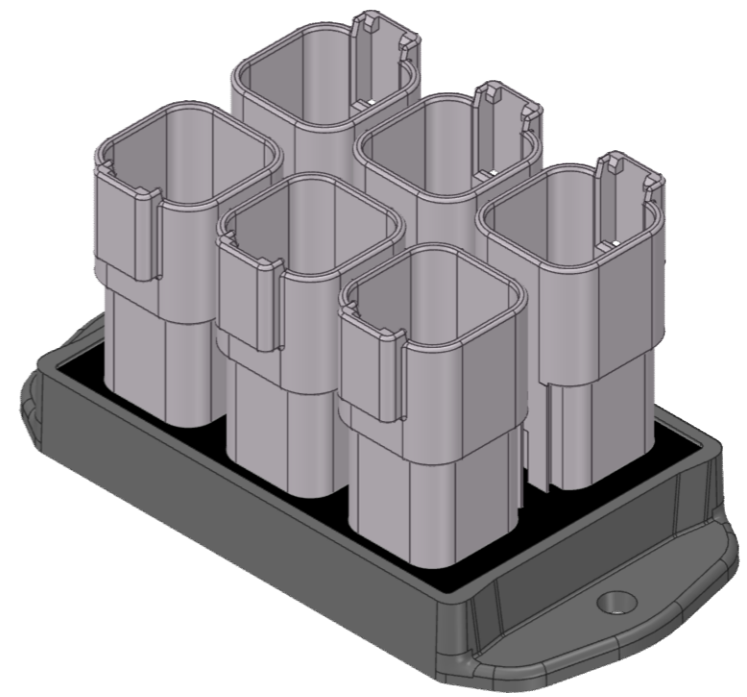
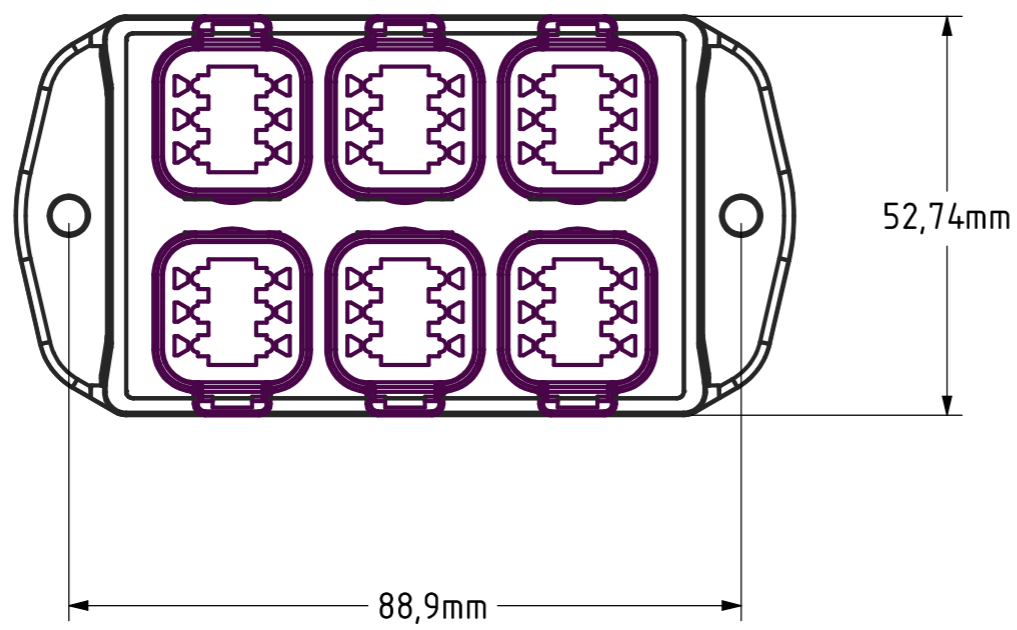
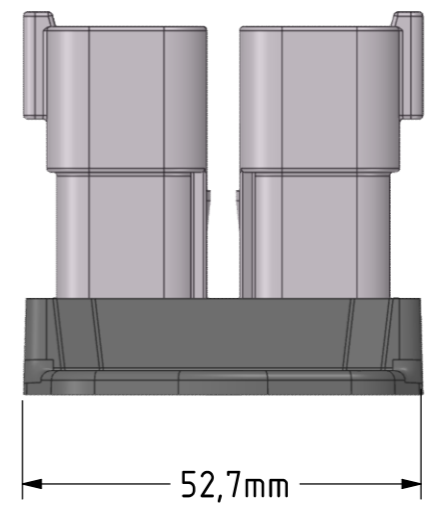
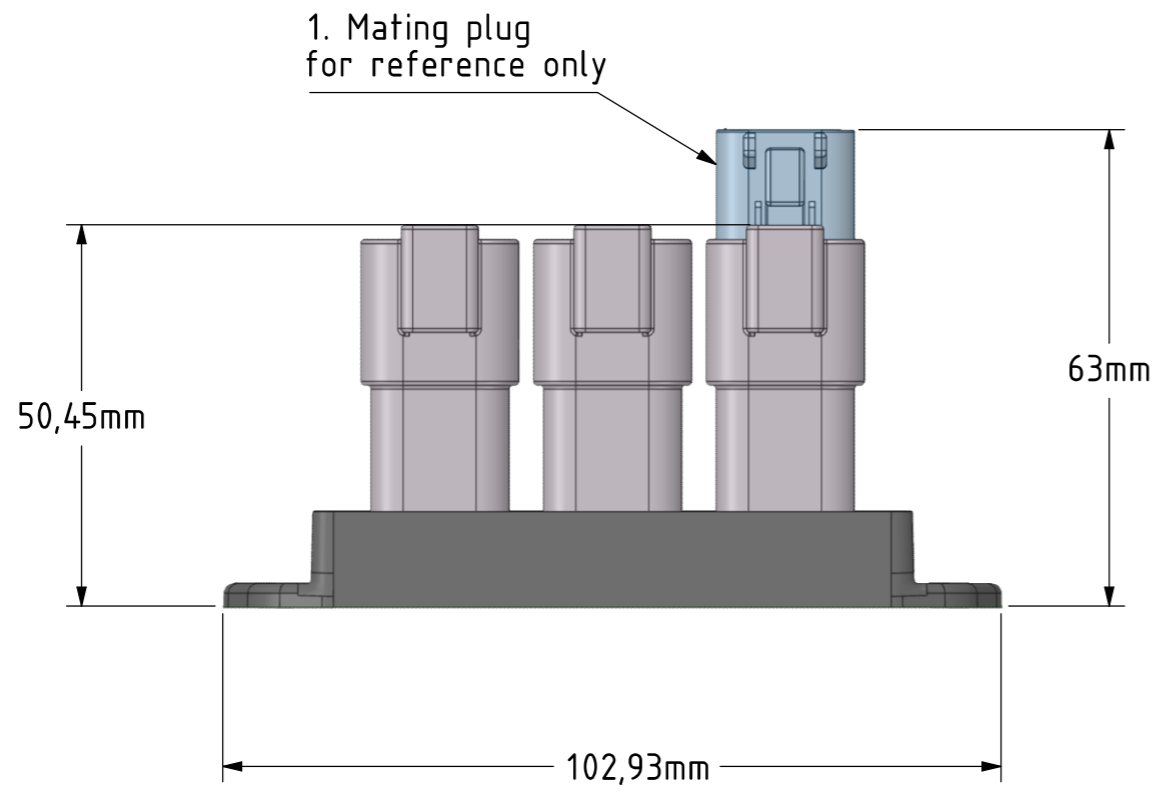
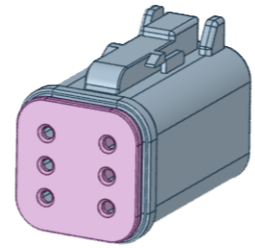


Offenders will be held liable for the payment of damages. All rights reserved in the event of the grant of a patent, utility model or ornamental design registration.

The copying, distribution and utilization of this document as well as the communication of its contents to others without expressed authorization is prohibited.



- 1. Mating plugs: DT06-6S***
- 2. Pins with the same numbers are wired together



1. Mating plug for reference only

Applicable for:		Tolerances		Surface		Scale		Dimensions		Projection	
Signal Splitters		DIN 16 901 - 140				1:1		mm [in]		First Angle	
						Material					
		Date		Name		Title, description					
		Drawn		JKI		Signal splitter					
		Chk.		JKI		6x DT04-6PA					
		Modified		13.10.2020		JKI					
								Drawing No.		Sheet/Sheets	
								EM-6D6		1/1	
Rev		Change		Date		Name		File:		EM-6D6	

