

Offenders will be held liable for the payment of damages. All rights reserved in the event of the grant of a patent, utility model or ornamental design registration.

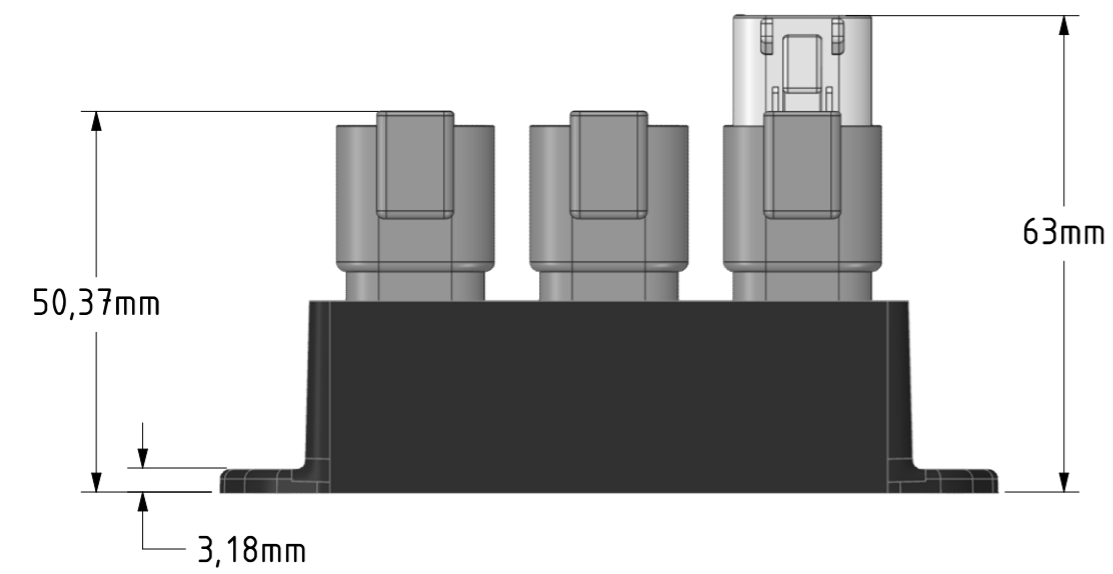
The copying, distribution and utilization of this document as well as the communication of its contents to others without expressed authorization is prohibited.

1 2 3 4 5 6 7 8

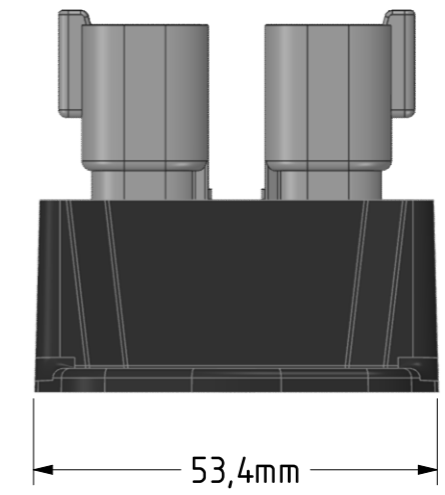
A

A

1. Mating plug for reference only

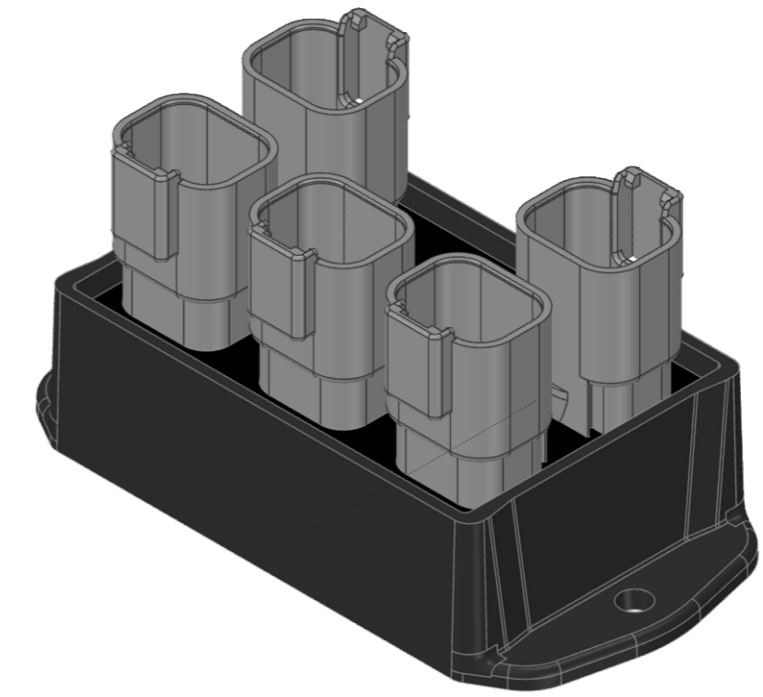
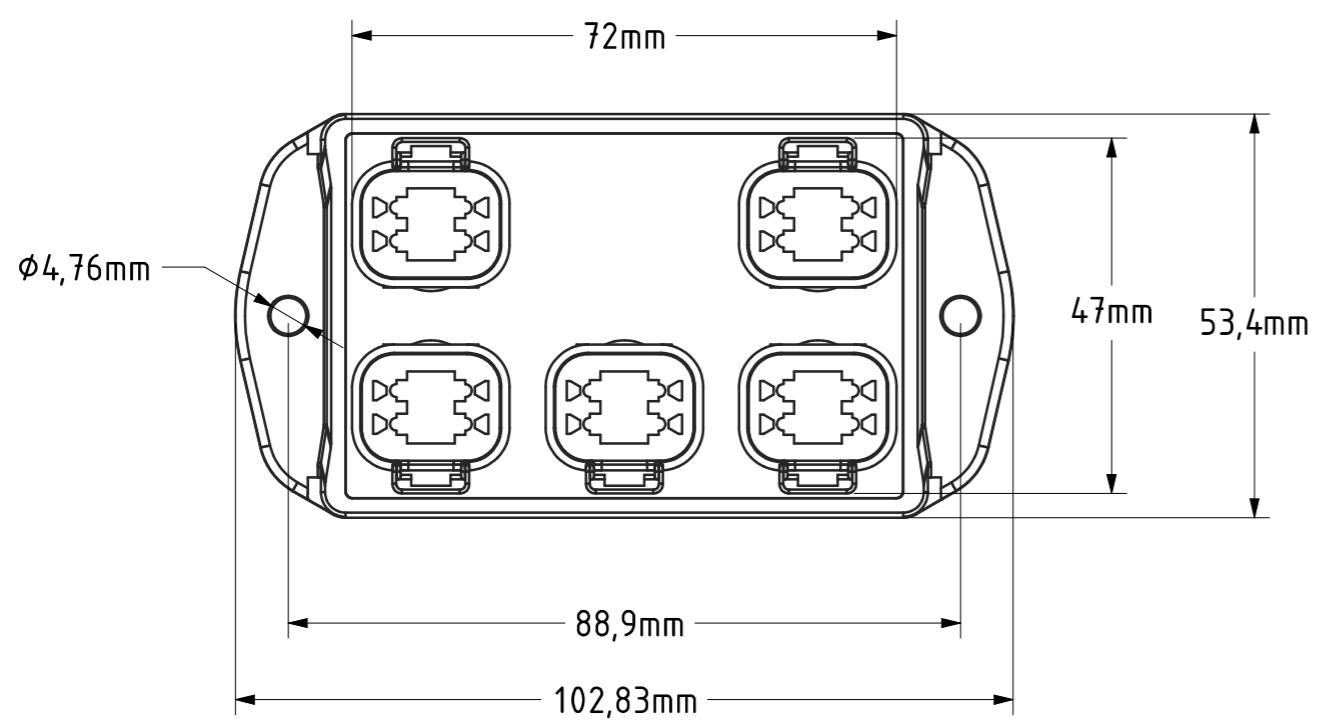


Part Number	Modification
EM-5IBS	Without terminating resistor
EM-5IBS-R	With terminating resistor 1200hm pins 3 + 4



B

B



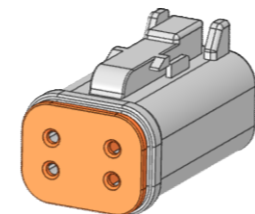
C

C

D

D

1. Mating plug for reference only



1. Mating plugs: DT06-4S***
2. Pins with the same numbers are wired together
3. Pins 1+2 are nickel plated, pins 3+4 gold plated
4. For detailed IBS Connector pinout see drawing "IBS Connector Wiring"

Applicable for:		Tolerances	Surface	Scale	Dimensions	Projection
Signal Splitters		DIN 16 901 - 140		1:1	mm [in]	First Angle
		Date	Name	Material		
		Drawn	12.01.2020	Title, description		
		Chk.		Signal splitter		
		Modified	19.12.2020	5x IBS connector DT04-4PA		
				Drawing No.		Sheet/Sheets
				EM-5IBS		1/1
Rev	Change	Date	Name	File: EM-6IBS		

1 2 3 4 5 6 7 8 A3