

1

2

3

4

A

A

B

B

C

C

D

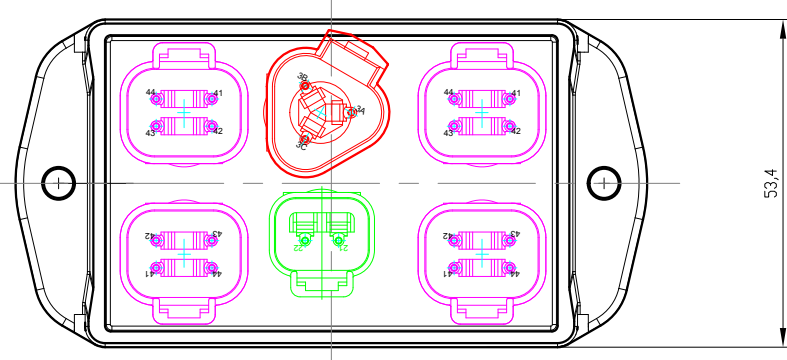
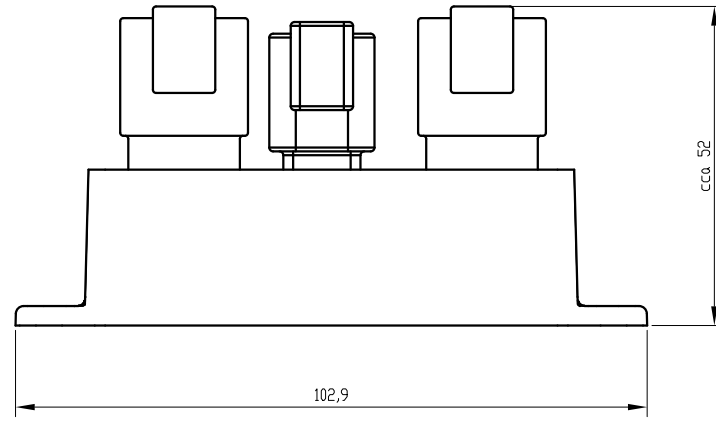
D

E

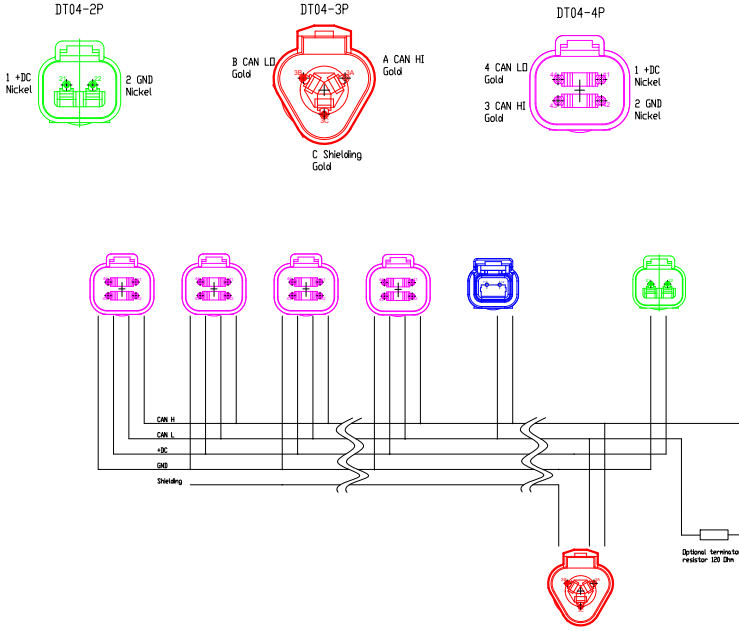
E

F

F



Connector connection, view into receptacle



Applicable for:		Tolerances		Surface		Scale		Projection	
Signal Splitters		DIN 16 901 - 140							
						Material		---	
						Title,description		Signal splitter 4xDT-4 1xDT-3 1xDT-2 Version without terminator = EM-4I1SP Version with terminator = EM-4I1SP-R	
						Drawing No.		EM-4I1SP-X Sheet /Sheets 1/1	
Rev		Change		Date		Name		File: EM-6XX_B.DWG	

1

2

3

4

A4