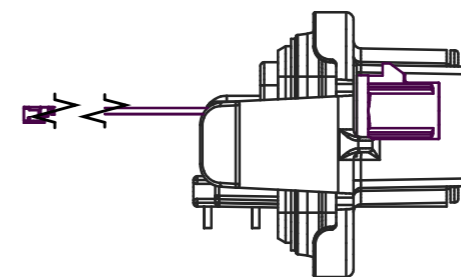
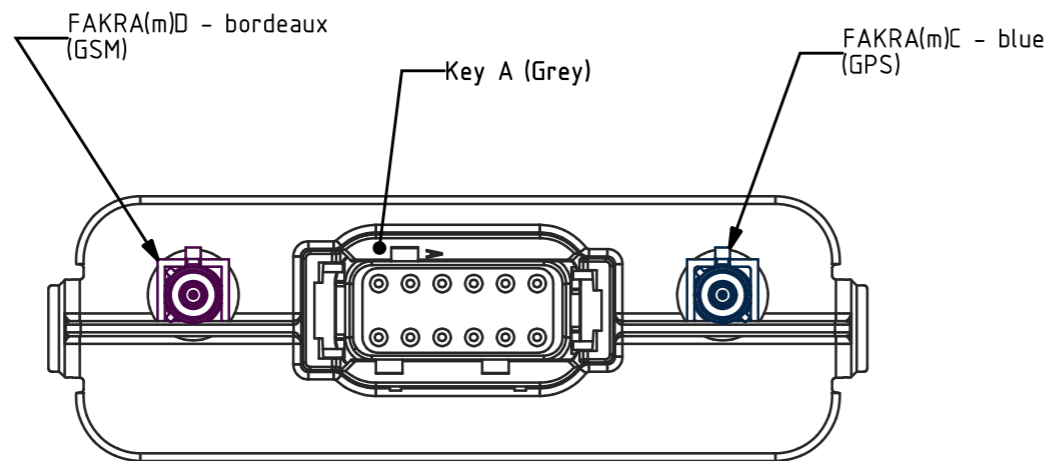
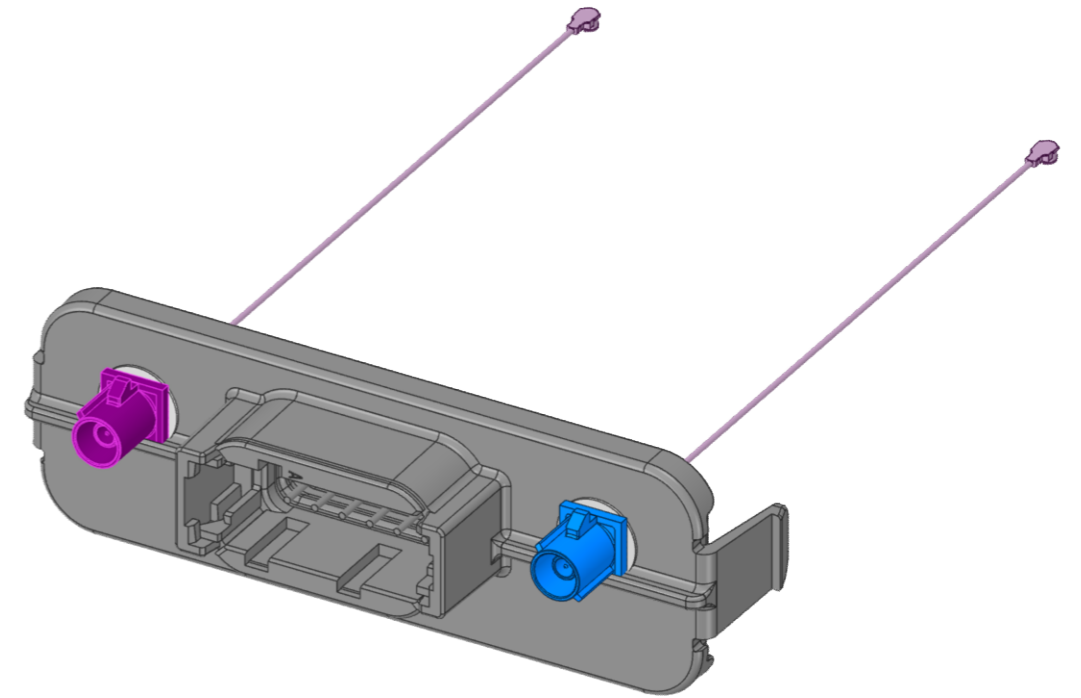
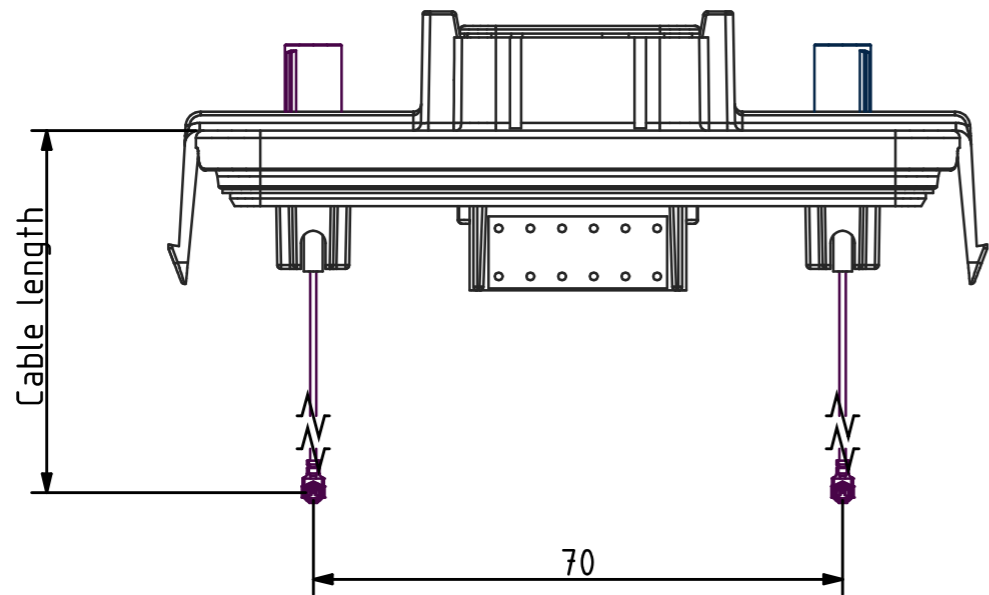


Offenders will be held liable for the payment of damages. All rights reserved in the event of the grant of a patent, utility model or ornamental design registration.

The copying, distribution and utilization of this document as well as the communication of its contents to others without expressed authorization is prohibited.



Part Number	Cable length
DTM13-12PA-R201	100mm
DTM13-12PA-R204	120mm

1. Dimensions are in mm
2. Dimension tolerance  $\pm 0.025\text{mm}$
3. Contact plating mating side: nickel; PCB side: tin
4. This EEC Box header (receptacle) mates with DTM06-12SA-\*\*\* plug
5. This header is used with the enclosure EEC-325X4\*-\*\*\*\*
6. Contacts #20 rating: 7.5A continuous each
7. For detailed dimensions see the drawing DTM13-12PA-12PB-R008

Applicable for:		Tolerances	Surface	Scale	Dimensions	Projection
Deutsch EEC Box System for professional electronics		DIN 16 901 - 140		1:1	mm [in]	First Angle
		Date	Name	Material		
		Drawn	16.07.2020	Title, description		
		Chk.		12 way header with contacts size 20 and 2xFAKRA HF connectors integrated for GPS/GSM telemetry systems		
		Modified	01.12.2020	Drawing No.		
					DTM13-12PA-Rx-FAKRA	
					Sheet/Sheets	
Rev	Change	Date	Name	File: DTM13-12PA-Rx-FAKRA		