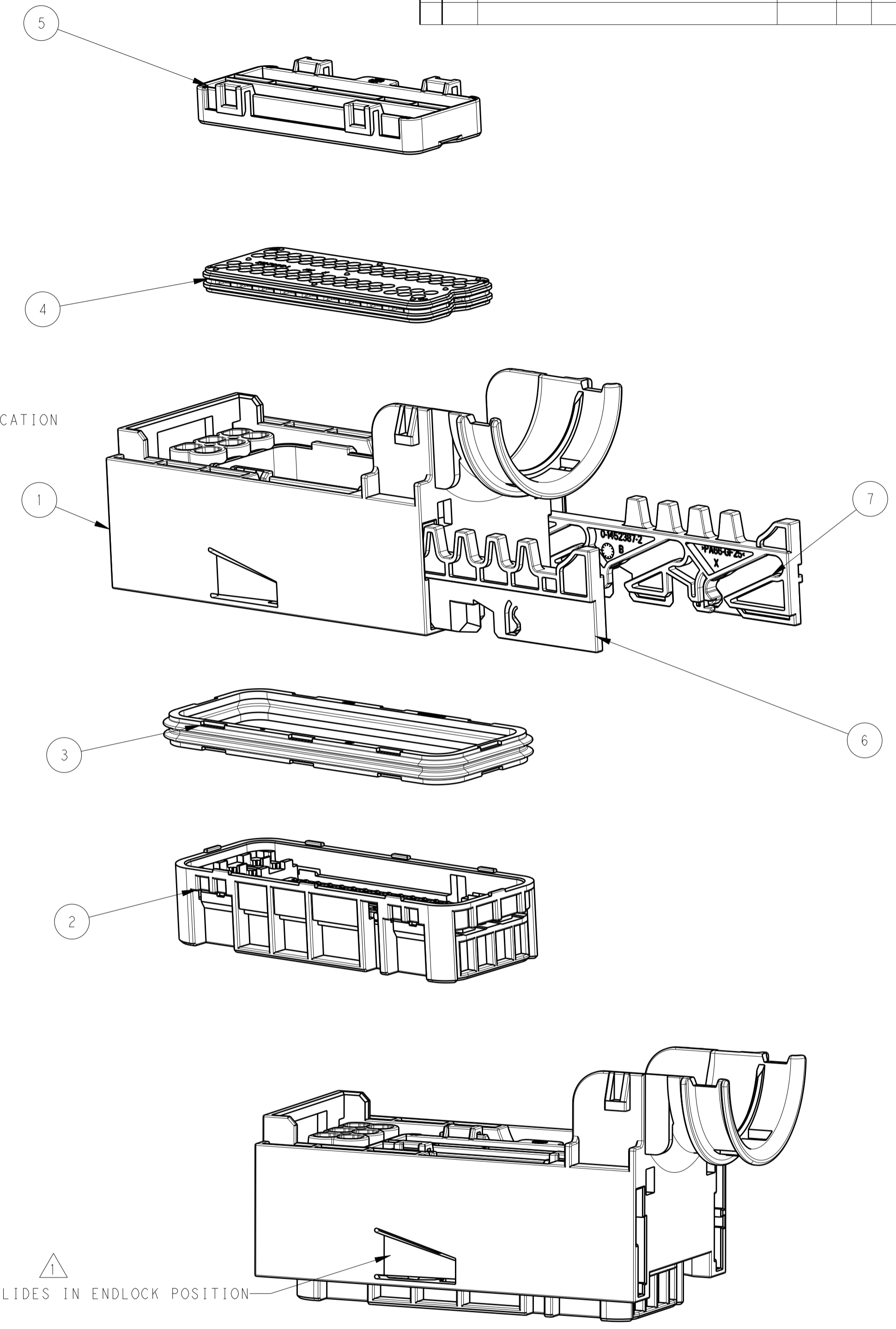
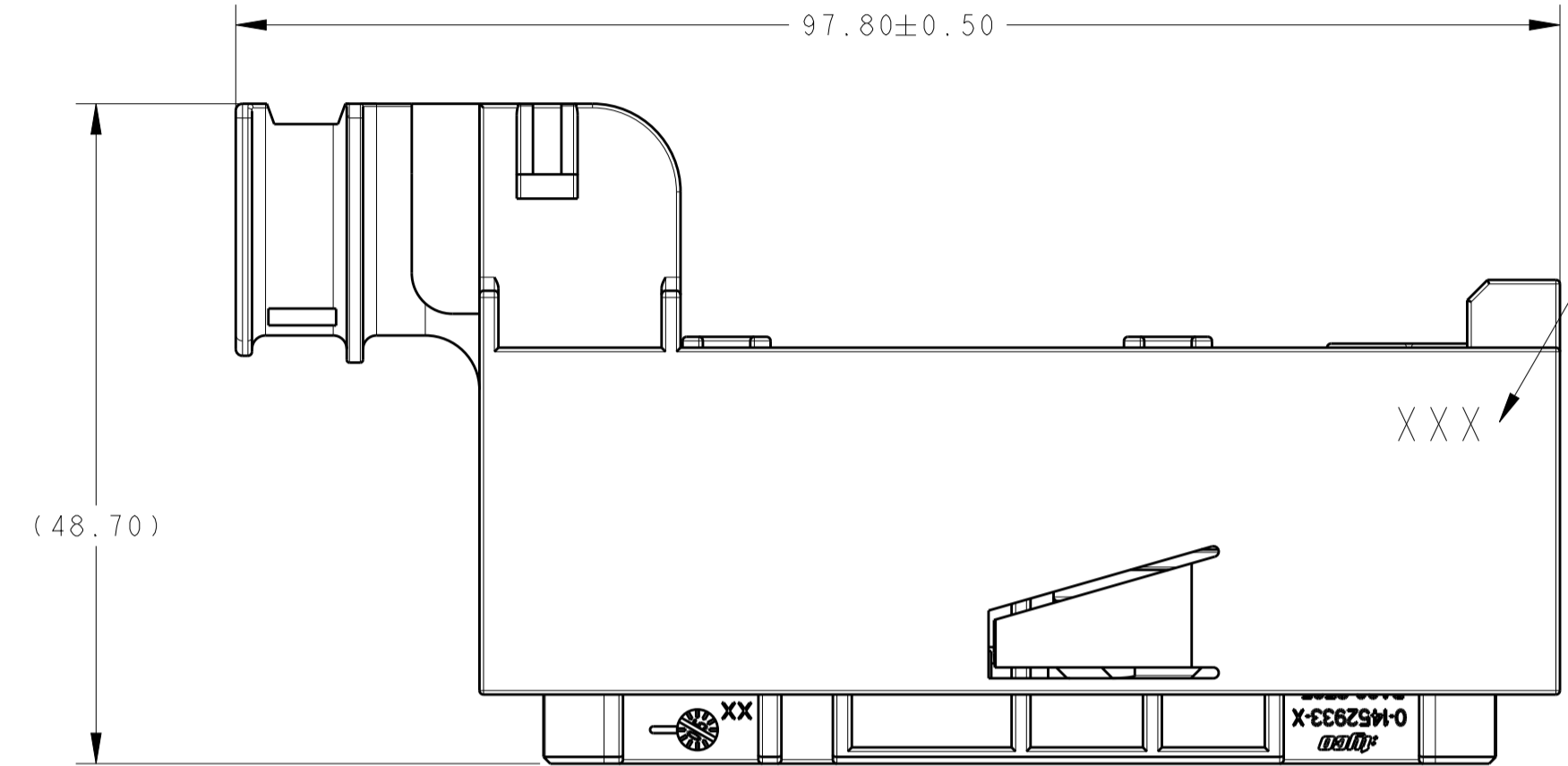
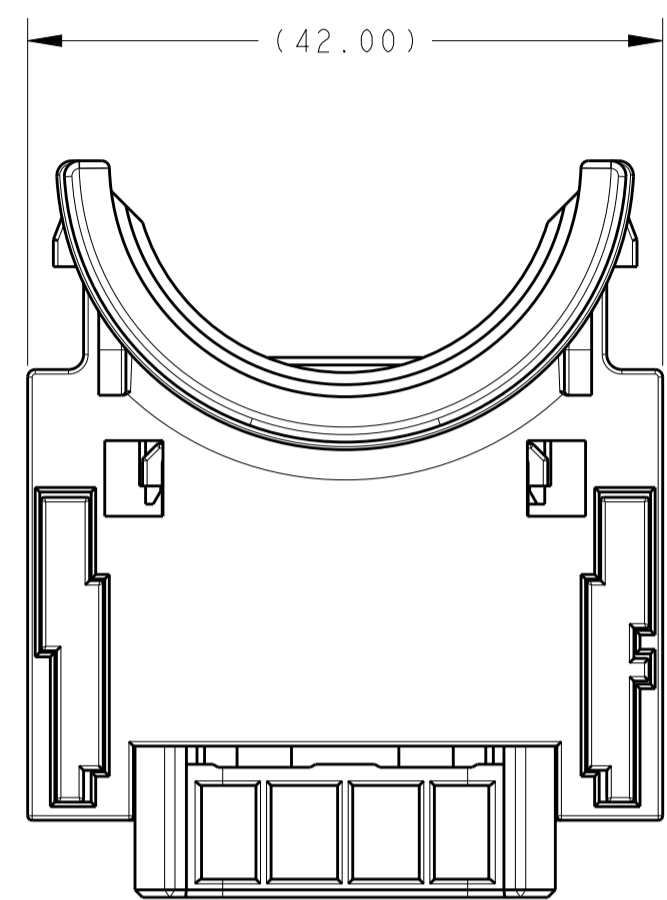


REVISIONS				
P. LTM	DESCRIPTION	DATE	DWN	APVD
A	INITIAL RELEASE	27JUN2017	C.W	I.Y
A1	ECR-17-016881	31DEC2017	C.W	E.J

IDENTIFICATE FEATURE FOR 2316660-1/2316660-2



NOTES

- 1 ASSY DELIVERD WITH SLIDES IN ENDLOCK POSITION.
- 2 2316660-1/2:70 CAVITIES FOR WIRES WITH OD Ø1.4mm-2.1mm. 9-1453995-9/9-1452931-9: 6 CAVITIES FOR WIRE WITH OD Ø1.9mm-2.25mm. AND 64 CAVITIES FOR WIRE WITH OD Ø1.9mm-2.4mm.
- 3 6 CAVITIES FOR WIRE WITH SINGLE WIRE SEAL UP TO OD Ø 3.00mm.
- 4 THE SEALING SHOULD BE FULLY INSERTED.
- 5 PACKING: IN CARDBOARD BOX.
- 6 COUNTERPART INTERFACE SEE TE SPECIFICATION 114-18764. AVAILABLE TE PN REFE TO TABLE I:

TABLE I

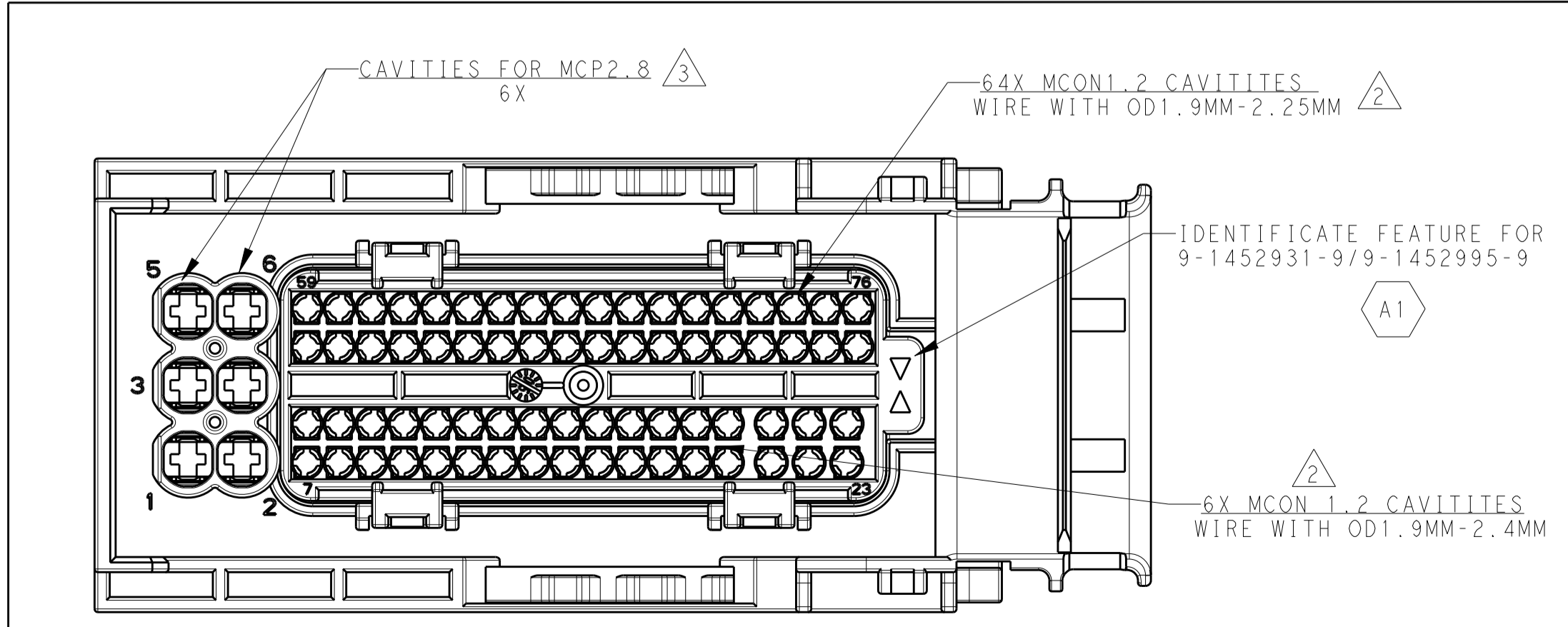
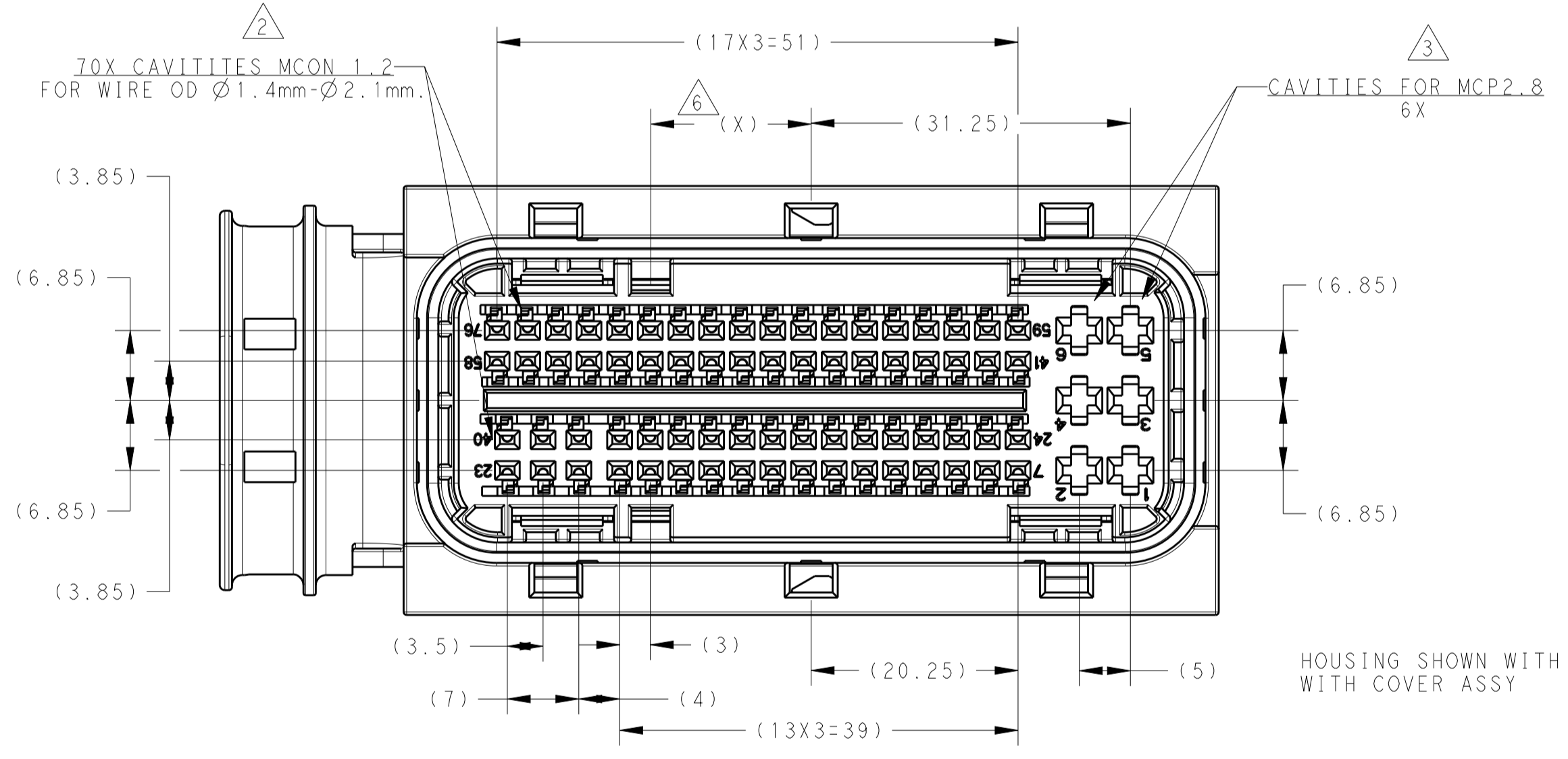
X	CODING	FITS TO SERIAL PRODUCTION HEADER	HEAD HOUSING COLOR
15.70	A	1719938-1	LIGHTGREY
		2137927-1	GREY
		2137927-3	ZINC YELLOW
13.10	B	1719938-2	BLACK
		2137927-2	BLACK

7 ACCESSORIES SHIPPED SEPARATELY, PN LIST:  
1452997-1(LONG SECOND LOCK). 1452408-1(SHORT SECOND LOCK)  
1719000-1(ADAPTOR 90°), 2289089-1(COVER ASSY)

SUITABLE TERMINAL REFER TO TABLE II

TABLE II

TERMINAL PN	FINISH	WIRE SIZE MM <sup>2</sup>	SINGLE WIRE SEAL	BLIND PLUG PN	REMARK
1452503-3	SILVER PLATED	1.0-1.5	N/A		2
1452503-2	GOLD PLATED	1.0-1.5			
1452503-1	PRE-TIN	1.0-1.5			
1670144-3	SILVER PLATED	0.5-0.75			
1670144-2	GOLD PLATED	0.5-0.75			
1670144-1	PRE-TIN	0.5-0.75			
1-968857-1	PRE-TIN	>1.0-2.5	828905-1(FOR ISO Ø2.2-3.0)	828922	3
1-968855-1		0.5-1.0	828904-1(FOR ISO Ø1.2-2.1)		
1-968882-1		0.35	828904-1(FOR ISO Ø1.2-2.1)		
1-968857-3	SILVER PLATED	>1.0-2.5	828905-1(FOR ISO Ø2.2-3.0)	828922	3
1-968855-3		0.5-1.0	828904-1(FOR ISO Ø1.2-2.1)		
1-968882-3		0.35	828904-1(FOR ISO Ø1.2-2.1)		



TOP VIEW FOR 9-1452931-9/9-1452995-9

QTY.	QTY.	QTY.	QTY.	COLOUR	MATERIAL	DESCRIPTION	ITEM NO
1	1	1	1	BLACK	PA66-GF25	SLIDE RIGHT	7
1	1	1	1	BLACK	PA66-GF25	SLIDE LEFT	6
1	1	1	1	BLACK	PBT-GF20	COVER FOR FAMILY SEAL	5
1	1	1	1	BLUE	SILICONE	FAMILY SEAL	4
1	1	1	1	WHITE	SILICONE	PERIPHERAL SEAL	3
1	1	1	1	BLACK	PA66-GF35	CONTACT HOUSING CODING B	2
1	1	1	1	GREY	PA66-GF35	CONTACT HOUSING CODING A	1
1	1	1	1	BLACK	PA66-GF35	FEMALE HOUSING	1
				WEIGHT (g)			
				CODING			
				TE ASSY PN			

THIS DRAWING IS A CONTROLLED DOCUMENT.

DIMENSIONS: mm

TOLERANCES UNLESS OTHERWISE SPECIFIED:

0 PLC	±	
1 PLC	±0.38	
2 PLC	±0.25	
3 PLC	±	
4 PLC	±	
ANGLES	±	

MATERIAL: SEE PN TABLE

FINISH: -

APVD: C. WAN, S. WANG, J. YIN

DATE: 21-Feb-17

PRODUCT SPEC: 108-94072

APPLICATION SPEC: 114-18822

WEIGHT: -

CUSTOMER DRAWING

SCALE: 2:1

SHEET 1 OF 1

REV A1

STE TE Connectivity

NAME: 76POS. CONNECTOR ASSEMBLY

SIZE: 70 x MCON1.2 AND 6 x MCP 2.8mm

SIZE: A100779

CAGE CODE: -

DRAWING NO: 2316660-1

RESTRICTED TO: -